

USER MANUAL

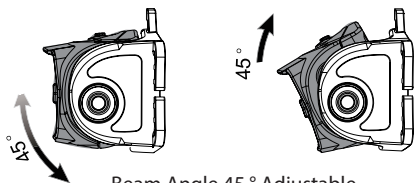
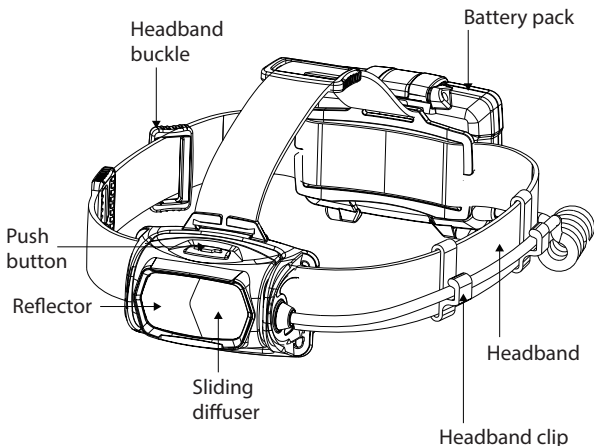
Head Torch 82640

www.businessimage.co.uk



Introduction

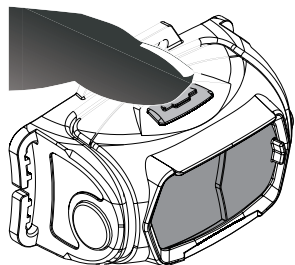
The TocLITE® Head Torch comes with a simple high/low main white spot beam led, plus a sliding flood diffuser, and a separate 3 AA battery pack for a longer battery life. To improve visibility, the battery pack includes a rear facing white led. The head strap has a silicone non-slip strip and 6 helmet clips, minimising head torch movement in use.



Operations

MAIN LED

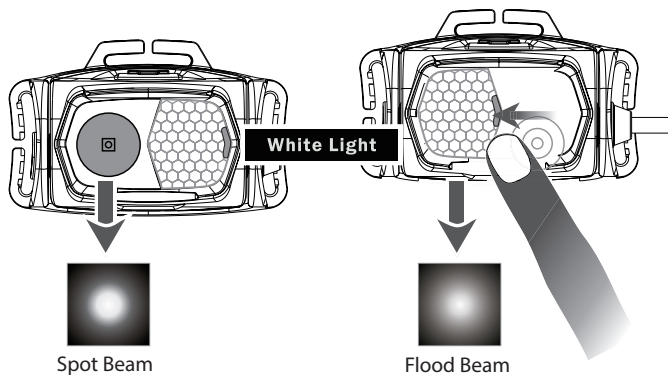
Press ONCE to cycle through
WHITE HIGH > LOW > OFF



White Light



SLIDING DIFFUSER

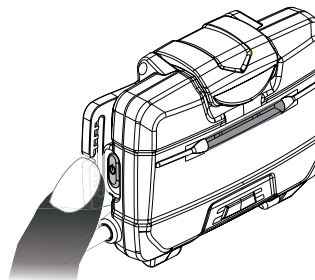


Spot Beam

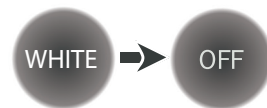
Flood Beam

REAR FACING LED

Press the side button at rear battery pack to cycle through
White Constant - OFF



White LED for Warning

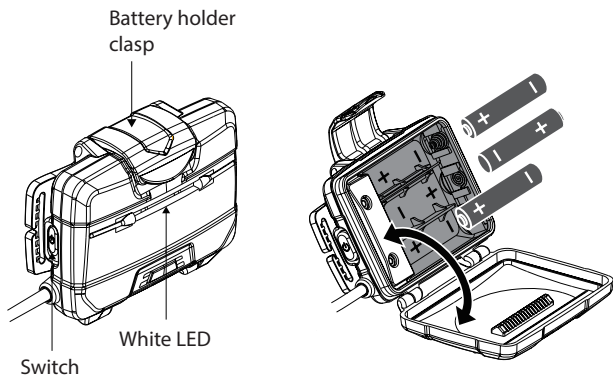


WARNINGS

- Do not shine the light directly in someone's eyes.
- If the light beam does shine directly in your eyes, look away immediately.
- Protect the lens and lamp body from scratching.
- If the headlamp has been off for a long time, please take out batteries.

Battery Installation

- Release the clasp to open battery cover.
- Insert each new battery '+' to '+'.
- Close the cover and fasten clasp.
- After changing batteries, please check all head torch functions, to ensure the head torch is operating correctly.
- Please dispose of batteries responsibly, in accordance with Local Authority regulations.



ToclITE® is a registered trademark of Business Image Limited



Business Image Limited
sales@businessimage.co.uk

