

USER MANUAL

Signalling Baton 82650

www.businessimage.co.uk



Introduction

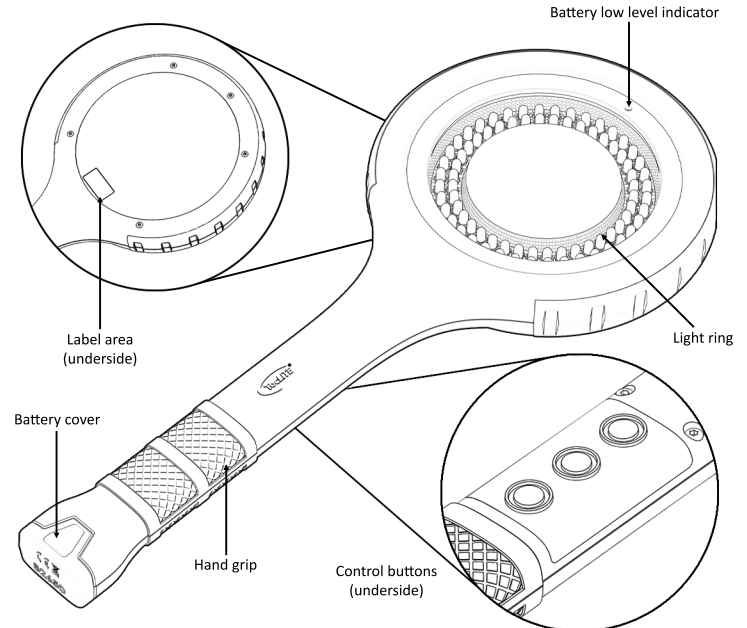
The TocLITE® Signalling Baton has white, red and green rings of light with a circular sweep for added visibility. It comes with eight AA Duracell batteries, four for immediate use and four for back up. There is also a low-level battery indicator.

IMPORTANT - Users are instructed to always use the baton in accordance with the relevant regulations and working practices.

TocLITE® is a registered trademark of Business Image Limited



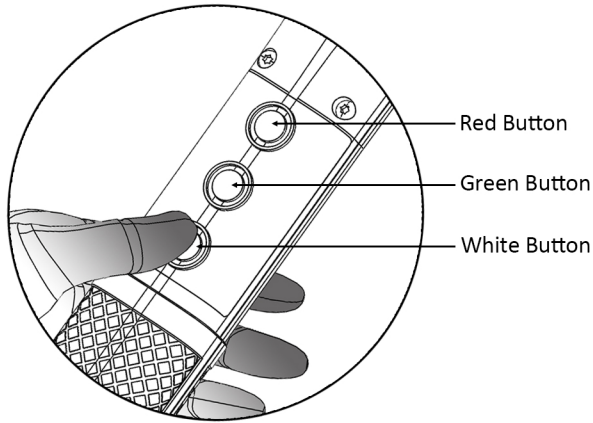
Business Image Limited
sales@businessimage.co.uk
+44 (0) 1293 518299



IP54

Operations

- White light - Press and hold the white button.
- Red light - Press and hold the red button.
- Green light - Press and hold the green button.



WARNINGS

- Do not shine the light directly in someone's eyes.
- If the light beam does shine directly in your eyes, look away immediately.
- Protect the lens from scratching.
- If the baton is not to be used for an extended period, please remove the batteries.

Battery Indicator

The orange low level battery indicator lights once there is approximately one hour's useful life remaining. When there is no useful life remaining, the led ring light will not illuminate but the orange low level indicator will flash initially.

Battery Installation

- Squeeze battery end cap between finger and thumb and pull open.
- Pull out the battery carriage.
- Insert each battery '+' to '+', making sure they are fitted in the correct polarity.
- Slide in the battery carriage with the arrow pointing towards the baton. Make sure the white side of the carriage matches with the white side of the baton. If inserted incorrectly, battery damage may occur.
- Replace the battery end cap.
- After changing the batteries, please check all the functions, to ensure the baton is operating correctly.
- Please dispose of batteries responsibly, in accordance with local authority regulations.

